

SP 115 WP / SP 115 B/WP

IP44 WEATHER-PROOF ABS SOUND PROJECTOR

DESCRIPTION

SP 115 WP

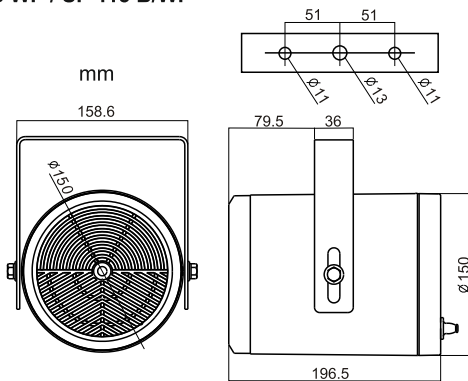
- White RAL 9010
- 50/70/100V transformer
- Complete with steel bracket
- 1x5,5" plastic cone loudsp.

SP 115 B/ WP

- White RAL 9010
- 50/70/100V transformer
- Complete with steel bracket
- 2x5,5" plastic cone loudsp.

DIMENSIONS

SP 115 WP / SP 115 B/WP



TECHNICAL DATA

Model	SP 115 WP	SP 115 B/WP (bi-directional)
Paper speaker inside	1 x 5,5" / 8 Ohm, 15W	2 x 5,5" / 8 Ohm, 15W
Output power	(100V) 2.66kOhm - 1.33kOhm / 666Ohm (70V) 1.33kOhm - 666Ohm / 326Ohm (50V) 666Ohm - 326Ohm / 166Ohm	(100V) 2.66kOhm - 1.33kOhm / 666Ohm (70V) 1.33kOhm - 666Ohm / 326Ohm (50V) 666Ohm - 326Ohm / 166Ohm
Input power	3,75W / 7,5W / 15W	3,75W / 7,5W / 15W
Input voltage	50 / 70 / 100V	50 / 70 / 100V
Frequency	140 - 20.000Hz	140 - 20.000Hz
Output sound pressure & voltage	92dB (1W,1m)	92dB (1W,1m)
Dimensions	Ø150 x 196,5mm / Ø5,90" x 7,73"	Ø150 x 196,5mm / Ø5,90" x 7,73"

CHOICE OF INPUT VOLTAGE

